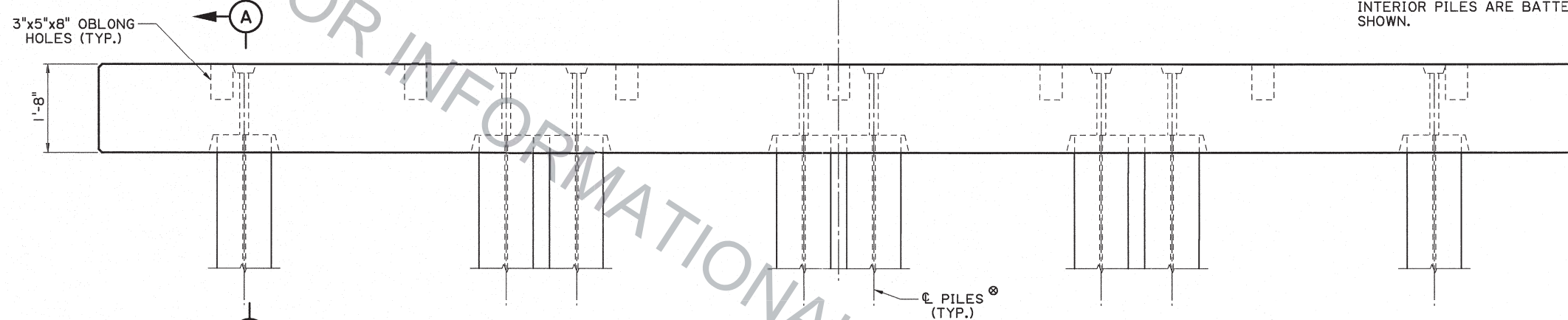
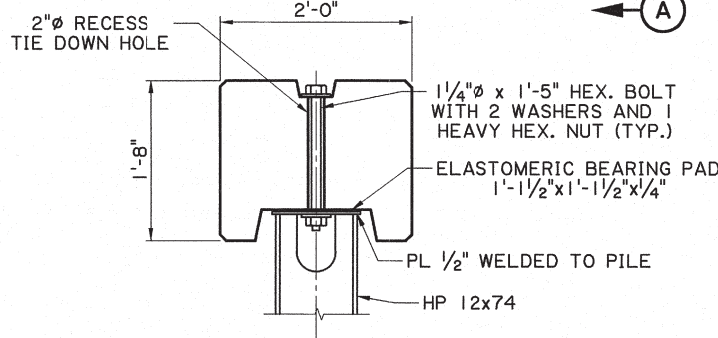


PLAN

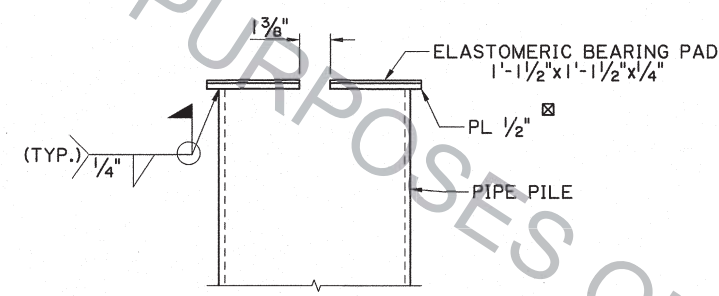
⊗ BATTER EXTERIOR PILES 1/2 ON 12 IN THE DIRECTION SHOWN FOR "h" > 12'-0".
INTERIOR PILES ARE BATTERED 1/2 ON 12 IN THE DIRECTION SHOWN.



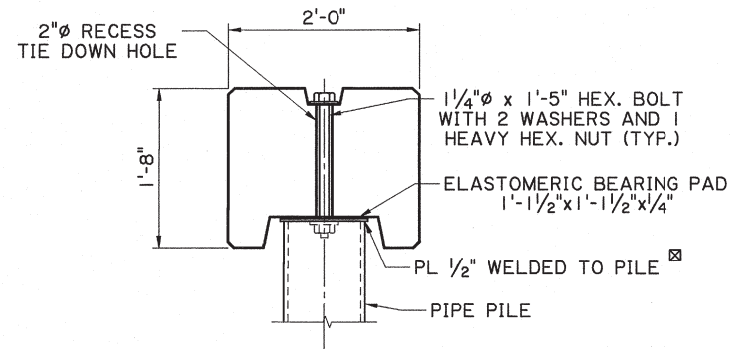
ELEVATION



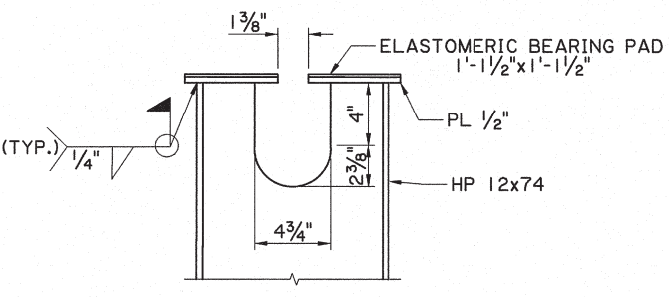
SECTION A-A
H-PILE



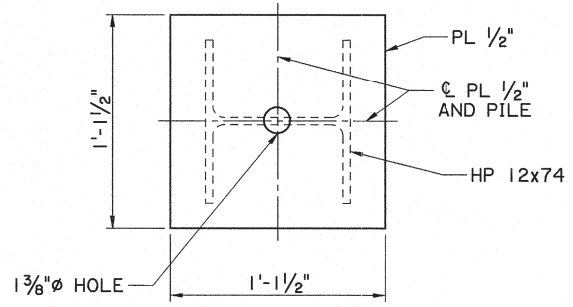
CONNECTION DETAIL
ELEVATION VIEW THROUGH CL
SHOWING PILE TO PLATE CONNECTION
(PIPE PILE)



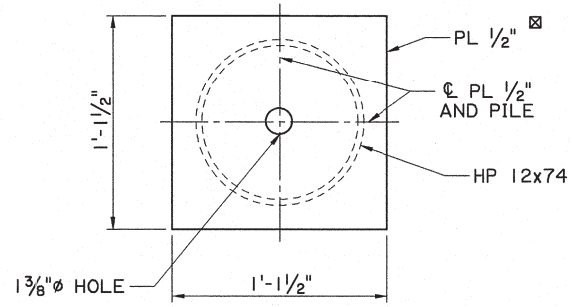
SECTION A-A
PIPE PILE



CONNECTION DETAIL
ELEVATION VIEW THROUGH CL
SHOWING CUT-OUT DIMENSIONS (H-PILE)



CONNECTION DETAIL
PLAN VIEW SHOWING
PLATE DIMENSIONS (H-PILE)



CONNECTION DETAIL
PLAN VIEW SHOWING
PLATE DIMENSIONS (PIPE PILE)

⊗ THE PL 1/2" AND THE ELASTOMERIC BEARING PAD SHALL BE BOLTED TO THE CAP PRIOR TO THE PLACEMENT OF THE CAP ON TOP OF THE PIPE PILES. ONCE THE CAP IS PLACED TOP OF THE PILES, THE PLATES SHALL BE WELDED TO THE PILES.



SHEET NUMBER		PARISH		CONTROL SECTION		STATE PROJECT	
DESIGNED	J. PELTIER	CHECKED	M. HEBERT	RETAILED	J. PELTIER	CHECKED	M. HEBERT
REVIEWED	P. VAUGHT	SERIES #	12 OF 16	BY	K.M.B.	CORRECTED SPELLING	
NO.		DATE		REVISION OR CHANGE ORDER DESCRIPTION			
03-01-17							
ANCHOR BENT DETAILS							
BD.2.B.1.0.12 PRECAST PANEL DETOUR BRIDGE							
BRIDGE & STRUCTURAL DESIGN							